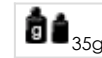


LED Installation Beacon 801 / Accessories

Base for surface mounting BK

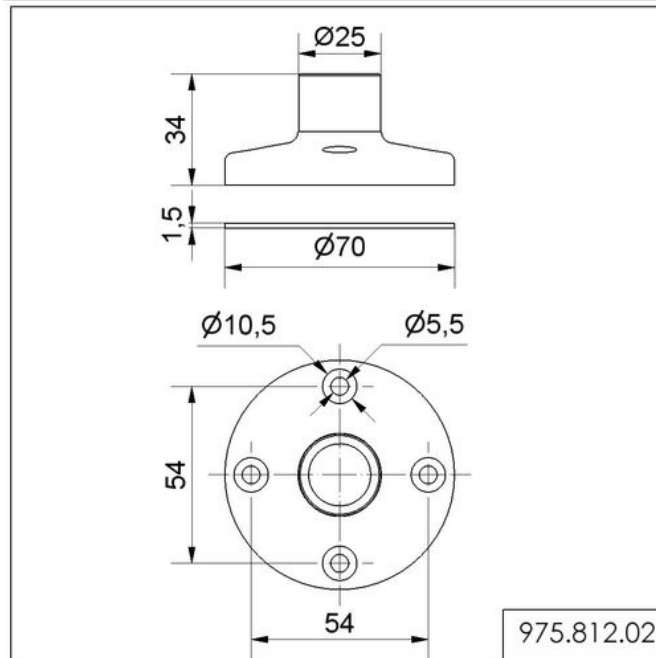


Part No.: 975.812.02



MECHANICAL DATA	
Height	34 mm
Diameter	70 mm
Materials	PA-GF
Housing colour	Black
Total weight in g	35 g
Net weight in g	35 g

DRAWING



! For additional installation and mounting information, refer to the appropriate user guide at www.werma.com. This printed copy is for information only and is subject to alteration.