

Permanent Light 800 / Accessories

**Surface housing 1-fold GY****Part No.:** 975.815.03**MECHANICAL DATA**

Length	107 mm
Width	82 mm
Height	55 mm
Materials	ABS
Housing colour	Grey
Protection category	IP65
Weight with packaging	135 g
Product weight	135 g

**ELECTRICAL DATA**

Operating voltage type	AC
------------------------	----

**APPROVAL DATA**

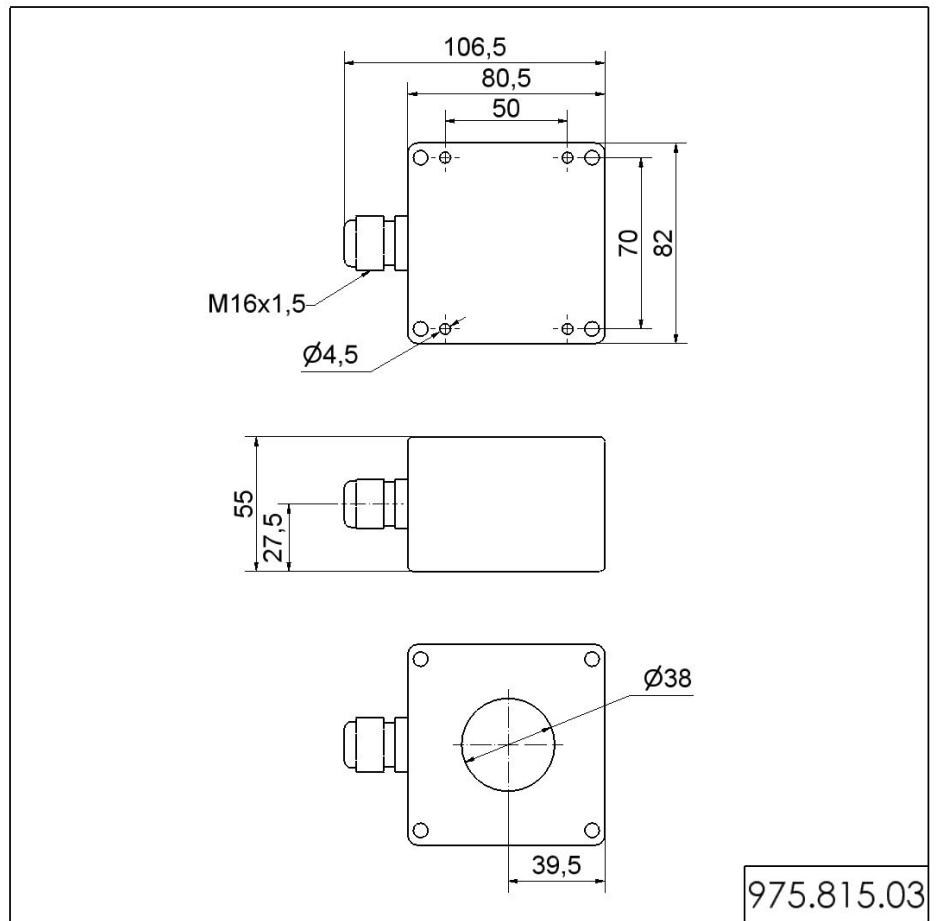
WEEE	No
Conforms with RED directive	No
Conforms with ATEX-directive	No
Conforms with CCC	No
Conforms with UL	No
Conforms with FCC	No
Conforms with IC	No
EAC certificate available	No
Conforms with AS-I	No
ICAO Certification	No
Conforms with DNV	No
Conforms with RoHS CN	No



For additional installation and mounting information, refer to the appropriate user guide at [www.werma.com](http://www.werma.com). This printed copy is for information only and is subject to alteration.

Permanent Light 800 / Accessories  
**Surface housing 1-fold GY**

**DRAWING**



**!** For additional installation and mounting information, refer to the appropriate user guide at [www.werma.com](http://www.werma.com). This printed copy is for information only and is subject to alteration.